



# 4" GPS Speedometer

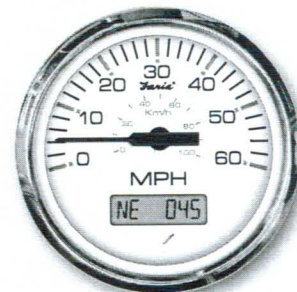
**ISO350**  
Rev. C ecn 10074 03/2015

The GPS Speedometer is a drop in replacement for your current speedometer and can be made to match your existing instrument dash.

GPS information is gathered from an internal GPS antenna. No external antenna required. The GPS Speedometer uses a highly accurate 48 channel GPS receiver. You can be sure that the GPS Speedometer is giving you the most accurate GPS information available on the market today.

Course Over Ground (COG) and actual heading (compass heading over ground) are displayed on the optional digital LCD.

Speed data is shown by an analog pointer. This pointer is driven by a digital stepper motor for increased accuracy and minimized pointer bounce during vessel operation.



Scale may vary depending on model.

### Caution

Disconnect the battery during installation. Tighten nuts on the back clamp only slightly more than you can tighten with your fingers. Six inch-pounds of torque are sufficient. Over tightening may result in damage to the instrument and may void your warranty. Use stranded, insulated wire not lighter than 18 AWG.

Be certain wire insulation is not in danger of melting from engine or exhaust heat or interfering with moving mechanical parts.

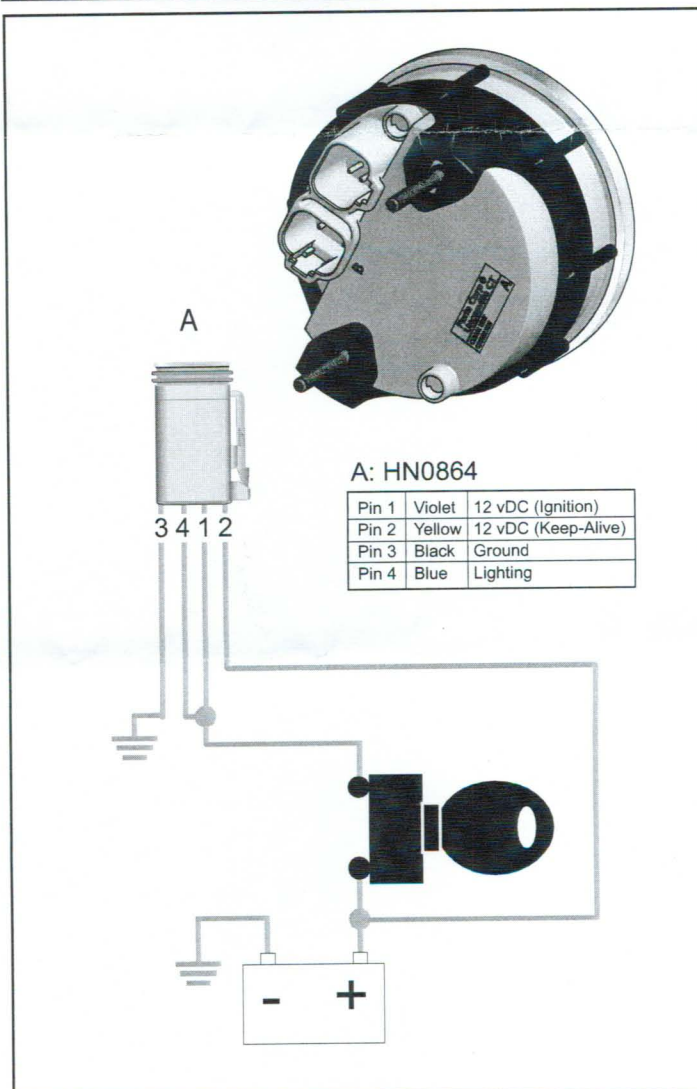
### Parts

QTY	Description
1	GPS Speedometer
1	Mounting Bracket (BC0102)
2	#8 Brass Nut (5/16")
2	#8 Brass Flat Washer
2	#8 Split Washer

### Installation

1. Cut a 3 3/8" (85 mm) diameter hole in the dash allowing a clearance of 3" (80 mm) for wires. Mount the GPS Speedometer with the backclamp supplied. Use the supplied washers and nuts and tighten
2. Connect the Deutsch connectors.
3. Connect the wire from A - pin 1 to the 12 vDC side of the ignition.
4. Connect the wire from A - pin 2 to the 12 vDC. It is recommend to connect this to an always on 12 vDC source.
5. Connect the wire from A - pin 4 to the 12 vDC side of the ignition.
6. Connect the wire from A - pin 3 with connector to the electrical ground, generally available in several locations at or near the instrument panel.
7. Reconnect the battery.

### Wiring Diagram



### Operation

1. After turning on the power the speedometer will cycle through a quick self test and display "GPS OK".
2. Once the Speedometer has a GPS Lock on the satellite the display reads "GPSLOCK" and then starts to display the COG and compass heading.

Note: If starting from a cold start (reapplying power) the GPS Speedometer may require the speedometer to be moving over ground before the data is updated and displayed. Once the GPS Speedometer has reacquired the satellite normal operations should resume.

All data displayed on the GPS Speedometer is for reference only and should not be trusted as a sole navigation source.